

HIT-W121

11.6" Healthcare/Hospitality Infotainment Terminal with Intel® Atom™ N450/D510 Processors



Features

- Revolutionary & specialized design focused on healthcare applications and terminal leasing market
- 43 mm thick slim design achieves balance between fanless & Atom dual-core performance
- Provides natural viewing experience with 16:9, 11.6" display
- Easy to clean full-flat, front touch panel IP54 compliant
- VESA 75 mm standard mounting holes for varied mounting demands
- Instant function key access via programmable touch hotkeys on front panel
- Rich options - Handset/ RFID/ Smart card reader/ Barcode Scanner/ MSR
- ITE & medical dual certificates provide complete application coverage

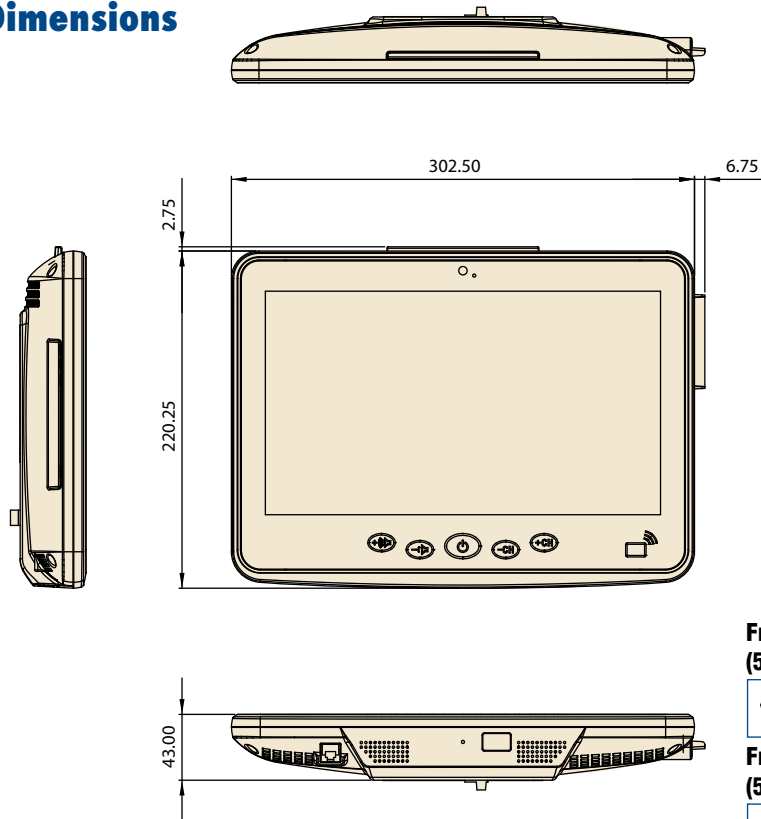


Specifications

Hardware	CPU	Intel Atom (N450/D510) 1.6 GHz Processor
	Front Side Bus	Supports FSB 667 MHz
	System Chipset	Intel N450/D510 + ICH8M
	Memory	up to 2 GB
	Storage	CF or SATA HDD interface
	Camera	2 megapixel CCD Module (Optional)
	Bus Expansion	Mini PCIe x 2
Display	Size	11.6" W TFT
	Max Resolution	1366 x 768
	Luminance	200 cd/m ²
	Contrast Ratio	400:1
Touchscreen	Type	Analog Resistive
	Light Transmission	80%
	Durability	30 million
I/O Ports	USB Port	3 (side x 2, rear x 1)
	Smart Card Reader	1
	Line out	1
	Microphone in	1
	COM Port (Isolated)	1
Audio	Speaker	2 watt x 2
	Microphone	1
Network	LAN	10/100/1000 RJ-45 x 1
	WLAN	802.11 b/g/n
Emergency Alarm	Hotkey	5 programmable touch buttons with 2 types of artwork
	LED Light Indicator	1
Bus Expansion	mini-PCI Slot	2 (1 for WLAN, 1 for tuner)
Software	Operating System	Optional (WES/Linux-Fedora 13, Ubuntu)
	Mounting	VESA 75 x 75 mm
Mechanical	Dimensions (W x H x D)	302.5 x 220.25 x 43 mm
	Weight	3.3 kg
	TV Tuner	Optional
Options	Handset	Optional
	Barcode Scanner	Optional
	Table Stand	Optional
	RFID	Optional
Power Supply	AC/DC Adapter	
	Input Voltage	100 ~ 240 V _{AC} , 1.1 ~ 0.45 A @ 47~ 63 Hz
	Output Voltage	IT: 19 V _{DC} , 3.95 A MAX; Medical: 16 ~ 21 V _{DC} (SET UP 19V), 2.63 A MAX
Environment	Operating Temperature	0 ~ 40° C
	IP Rating	Front Panel; IP54 ; IPX1 All around
	Vibration	1 G
	Shock	50 G
	Certifications	CE, FCC, CCC, CB, ITE UL, EN 60950 & EN 60601-1 approved

Dimensions

Unit: mm



Front Button Layout of HIT-W121-AST0E (5-key + 1 RFID Icon) :



Front Button Layout of HIT-W121-AIS0E (5-key + 1 RFID Icon) :



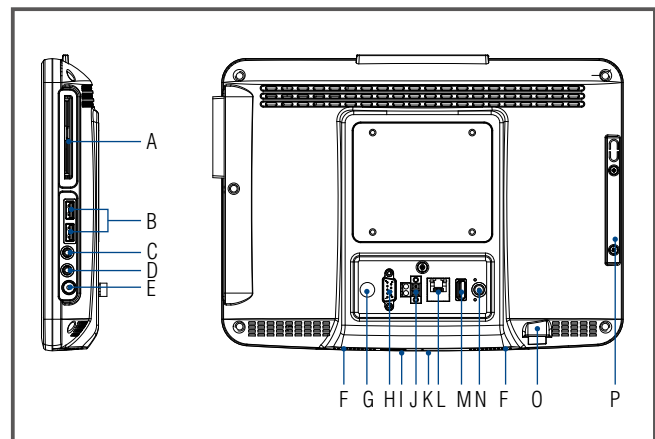
Ordering Information

Part No.	Description
HIT-W121-AST0E	11.6" W Full-Flat Atom D510 Healthcare Terminal w/ R. T/S
HIT-W121-AIS0E	11.6" W Full-Flat Atom D510 iService Terminal w/ R. T/S

Accessories

Part Number	Description
HIT-W121-HSK0E	Handset Kit for HIT-W121
HIT-KITS-MSR0E	HIT series standard accessory : MSR Add-on Module
HIT-KITS-UST0E	HIT series standard accessory : US ATSC/NTSC Hybrid Tuner
HIT-KITS-EUT0E	HIT series standard accessory : EU DVB-T Analog/Digital Hybrid Tuner
HIT-KITS-TSD0E	HIT series standard accessory : Table Stand Kit
HIT-KITS-TCPOE	HIT series standard accessory : Table Clamp Kit

Fully- Integrated I/O



- | | | |
|--------------------------|------------------------------|---------------------------|
| A Smart Card Insert Tray | F 1W Speaker x 2 | L RJ-45 LAN port |
| B USB 2.0 Port *2 | G Reserved port | M USB 2.0 port |
| C MIC In | H Isolated COM Port | N DC Inlet |
| D Line Out | I Barcode Scanner (optional) | O RJ-12 Handset Connector |
| E Power Switch | J 2-PIN Connector | P Handset/MSR Dock |
| | K MIC | |